

### Beverly Agrees On Supplemental De Quindre Pact

Related Story on 1-A

BEVERLY HILLS — A supplemental agreement to the De Quindre Interceptor contract agreed on Oct. 1 by the village council was passed Tuesday night, contingent upon approval of receipt of an additional Federal grant.

In a special meeting, councilmen voted that if the Southeastern

Oakland County Sewage Disposal Authority receives the new grant of \$1,296,532.63, they will go along with the improvement and enlargement of the system.

Under the original contract, Beverly Hills' portion of the total cost would have been \$28,562.88. Under the new agreement, the net cost would be \$21,061.57 payable over 30 years. The first payment of \$261.57 would be due Oct. 1, 1963.

The interceptor will run under Decoude from 11 Mile Road in Oakland County to Conant Road in Detroit and then to its outlet in the Detroit sewer.

Be Wise—Use Classifieds!



**Don't Forget, Men!**  
Monday Evening, Dec. 3  
From 7 to 10 P.M.  
is Birmingham's  
**MEN'S NITE**  
Sponsored by the  
Birmingham Chamber of Commerce

some of the

## SMARTEST CLUBS

in michigan  
have been  
carpeted by

thos. w. walsh & co.  
FLOOR COVERING SPECIALISTS

Fine quality is a sound investment that interprets your way of living, your personal good taste. You pay no premium for the beautiful assortments and custom service you find at Walsh's.

CALL WO 5-2930 FOR ESTIMATES

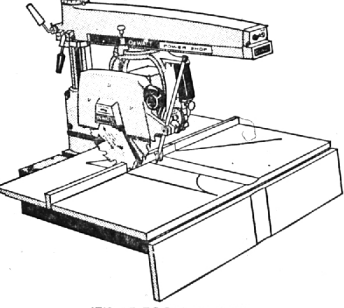
1000 E. Jefferson Detroit 7

## FREE \$75.70 SAVINGS CERTIFICATE

YOURS NOW WITH PURCHASE OF MODEL 1200 OR 1400

## DEWALT POWER SHOP

MODEL 1100 ILLUSTRATED



IT'S 15 TOOLS IN ONE!

- Radial Power Saw
- Horizontal Drill
- Drum Sander
- Tilt Arbor Saw
- Router
- Buffer-Polisher
- Dado Tool
- Surfer
- 12" Lathe
- Tilt Arbor Shaper
- Grinder
- Jointer
- Disc Sander
- Metal Cutter
- Sabre Saw

Buy your DeWalt now and receive a special certificate good for savings up to \$75.70 on tools and attachments! You save up to 50%. Here's how it works: Four coupons—one for each group of accessories—are furnished with your savings certificate. Your dealer will apply the dollar value on each coupon toward the regular purchase price of the attachments included. Be sure to take advantage of this sensational money saving offer! OFFER EXPIRES JAN. 31, 1963!

TOTAL CASH SAVINGS WITH DEWALT CERTIFICATE \$75.70

**ERB-RESTRICK Lumber Company**  
803 SO. MAIN, FAYAL OAK MI 4-4000  
425 ETON RD. BIRMINGHAM MI 4-5300

### Hogan, Gillis Spend Record Low on Campaign

Henry M. Hogan, Jr., chairman of the state committee for revision of statutes, and Joseph A. Gillis, committee treasurer, announced their campaign expense account for the election which brought success to their committee.

The report showed expenditures of \$322 paid to Miller Letter Service for mimeographing and \$1.00 expended for postage. Contributions to the committee amounted to \$4.22 which was contributed equally by Gillis and Hogan.

GILLIS SAID the \$4.22 expense for a state wide campaign for a constitutional amendment probably set a new record for minimum campaign expenses.

A joint statement issued on behalf of the two man committee stated: "Early in the year we decided that a heavily financed advertising campaign was not necessary.

"We felt that the inherent merit of the proposal would carry it. The approval of more than 850,000 Michigan voters vindicated our faith in the amendment. We have eliminated an unnecessary state agency, the compilation commission," they said.

"The voters permitted the legislature to get a one year lead on a compilation, regardless of the outcome of the April vote on the proposed constitution."

### Supervisors Answer State Audit Claims

The county board of supervisors last week denied what it called a growing tendency for the state to attempt to dictate to the county in areas of policy and administration.

A board-approved resolution was the supervisors' answer to charges by Democratic State Auditor Gen. Billie S. Farnum that county officials had illegally collected about \$11,000 from the county from January, 1960, to July, 1962.

The resolution was based on a summation of the audit's legal aspects by County Corp. Counsel Norman Barnard and did not contain answers to detailed allegations of improper spending.

COUNTY AUDITOR John C. Austin said he is starting to look into specific charges in Farnum's audit report and may meet with state auditors soon. The county has been given 90 days by the state to solve the problem.

The resolution acknowledged that there are areas in Farnum's report that are being studied by county auditors. However, the resolution, in referring to charges that Board Chairman Delos Hamilton was overpaid, pointed out that the board had authority to make "policy" decisions in the absence of specific state law. The board contends it is within this authority in granting additional pay to Hamilton.

THE BOARD also said it sees a need for county home rule because of the trend by the state as shown in the audit report, to impose departmental directives on local government.

State associations such as the Michigan Association of Supervisors and other groups representing local governments should investigate such a trend, the report said.

Barnard said that determination of legal questions raised by the audit report will await the county auditors' investigation.

### Meeting

(Continued from 3-A)

ment asking the council to "react favorably and specifically" to nine points of policy and procedure.

BASICALLY, the committee asks for police protection by either Latrup or the City of Southfield at the 12 Mile-Southfield intersection and on 12 Mile, east of Guy Place, where the school is located.

Additionally, it also asks the city to obtain a traffic light at the latter location for use four times daily and to paint lines and school zone lettering on the roads plus school zone signs near the school.

Stone was directed to contact safety officials to see what is recommended in the way of a traffic light on 12 Mile Road at the school location.

THE COMMITTEE will meet with the council soon in a study session aimed at finding a solution which will protect the children while providing the rest of the city with adequate police coverage.

The incomplected council agenda will be carried over to Monday's special meeting.

The public hearing will be on a request for rezoning five lots, east of A & P on 12 Mile Road, to commercial.

A variance to permit use by a coin-operated, dry cleaning business on the lot would have to be considered by the zoning board of appeals at a later date.

The city's zoning ordinance limits its dry cleaning service to pickup stations.

## Obituary Notices

### B. N. Richardson

Benjamin N. Richardson, 78, of 1361 Bessville, Birmingham, died Thursday, Nov. 8, at his home. He was a retired carpenter and home-builder.

Zorn in New Brunswick, Canada, he fought with the 101st Battalion Engineers in the World War I Canadian Army. He was a member of the Emmanuel Baptist Church, Pontiac.

Survivors include three daughters, Mrs. Clara Ackerley, Mrs. James Rich and Mrs. Rudy Schelling; three sons, Charles G., Stanley G. and William C.; a sister; 29 grandchildren and 26 great-grandchildren.

Services were Monday from Manley Bailey Funeral Home, with burial in White Chapel Memorial Park.

### H. Cameron Clark

A retired Chrysler Corporation engineer, H. Cameron Clark, died Wednesday, Nov. 7, at William Beaumont Hospital, Royal Oak, after a short illness.

A resident of 850 N. Adams, Birmingham, he was 64. He was born in Essex, Ontario, attended the University of Michigan and served in the World War I Army. He retired from Chrysler in 1960 after 38 years with the company.

He was a member of the Lost Lake Woods Club in Lincoln, Michigan, and First Methodist Church, Birmingham. He was a life member of Clarkston Masonic Lodge 66, F.E.M.

He is survived by his wife, Orle; two daughters, Mrs. John G.

### Vickers of Southfield and Mrs. James P. Owens, Jr. of Hamden, Conn.; a son, Robert C. of Birmingham, and seven grandchildren.

Services were Saturday from Manley Bailey Funeral Home, with interment in Acacia Park Cemetery.

### Thomas E. Lowe

Former secretary-treasurer of Frank C. Tool Co., Detroit electrical equipment distributors, Thomas E. Lowe, 81, of 6700 Indianwood Trail, Bloomfield Township, died Tuesday at his home after a prolonged illness.

Born in Liverpool, England, he had lived in the Detroit area since 1922. He retired in 1948. He was on the board of several electrical associations and the Plum Hollow Golf Club, where he served from 1921 to 1943 and was a past president and honorary life member.

He attended Christ Church Cranbrook.

Survivors include a daughter, Mrs. Edward Laake, with whom he lived; a son G. Talbot Lowe, of St. Clair, Michigan, a sister and four grandchildren.

The body is in the Bell Chapel of the William R. Hamilton Co., Birmingham. Services will be at 2 p.m. Friday in Christ Church Cranbrook. Burial will be in Oakview Cemetery, Royal Oak.

### Mrs. Duncan C. Beath

A Detroit-area resident for 85 years, Maria L. Beath died Friday in Green Lake Rest Haven after a long illness. She was 87.

She lived at 27905 Crestwood Drive, Franklin, with a daughter,

### Mrs. E. A. Wright. Born in Ferguson, Ont., she was the widow of Duncan C. Beath, a Detroit attorney who died in 1956.

Besides Mrs. Wright, survivors include two grandchildren and four great-grandchildren.

Services were Monday from Bell Chapel of William R. Hamilton Co., Interment was in Woodlawn Cemetery, Detroit.

### Hal H. Jones

Services were Monday in the Bell Chapel of the William R. Hamilton Company for Hal H. Jones, who was the proprietor of the Golden Pheasant Tea Room, Detroit, for 35 years.

A resident of 617 Pallister, Detroit, he died Wednesday, Nov. 7, at 78.

Survivors include a daughter, Mrs. William H. Bagley, III, of 1901 Stanley, Birmingham, a brother and one granddaughter.

Burial was at White Chapel Memorial Park.

### Mrs. Truman H. Gass

Services will be at 1:30 p.m. today in St. James Episcopal Church, Birmingham, for Mrs. Truman H. (Mary M.) Gass, who died Sunday at her home, 680 Wimbledon, Birmingham. She was 80.

The widow of a Detroit attorney, Mrs. Gass is survived by a son, St. James Church rector, the Rev. Kenneth H. Gass, D.D., with whom she lived.

Other survivors include a brother and a granddaughter.

Funeral arrangements were by

### Resident to Speak At Iowa University

Erwin B. Wittus, of 5060 Winlane, Bloomfield Township, a certified public accountant, will address

the Ninth Annual Tax and Accounting Seminar at the University of Iowa today.

Wittus, of the CPA firm, Parker, Wittus and Co., will speak on the "Use of Computers in Small CPA Offices." The seminar is sponsored by the University of Iowa School of Business Administration and the Iowa Society of CPAs.

**LARGEST SELECTION IN MICHIGAN OF Early American Accessories**

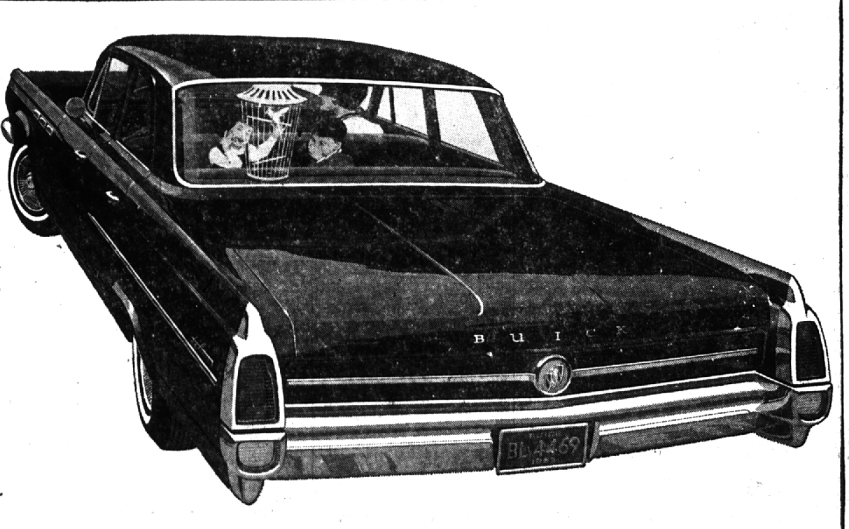
We invite you to visit us soon to see our many interesting things collected from far and wide. Each piece reflects true Americana to enhance American decor. And all moderately priced, too.

Phone U 3-1330  
**Royal Oak Furniture Co.**  
AT THE OLD PARKING LOT  
315 S. WASHINGTON AVE. ROYAL OAK, MICH.

# 9AM

(TOMORROW)

## SEE OUR BRAND NEW HOME FOR BUICK!



SEE THE BOLD, BEAUTIFUL '63 BUICK NOW AT:

## FISCHER BUICK, INC., 515 S. Woodward Ave. Birmingham, Mich.

Come one . . . come all . . . to our luxurious new showplace, perfect setting for the bold and beautiful new Buick series for 1963. See the Riviera, Buick's sensational innovation in car concept and craftsmanship . . . the happy-medium size Special, featuring the award-winning V-8 engine . . . new Buick Skylark, a "very personal car" that combined luxury with sports-car go . . . the terrific Wildcat . . . magnificent Electra 225 . . . Famous Buick, LeSabre . . . all the cars that are making all the car news this year. And we've got the staff and facilities to make your Buick-shopping and servicing easier than ever before! We'll be expecting you . . . drop in for an interesting visit today.

