

Birmingham's Churches List Their Activities

Noted French Organist To Play in Birmingham

Described as one of the best organists of modern times and as an inspiration to all burdened with physical handicap, Jean Langlais, blind organist from France will be presented at the First Baptist church at 8 p.m. on Feb. 7.

Jean Langlais was born in Brittany, France, to parents of very modest means. His musical education was received through hard struggle, because of both a financial lack and his physical handicap.

As a boy he was enrolled at the National Institute for the Young Blind in Paris, where his teacher was Andre Marchal. Later, at the Paris conservatory, he studied under Marcel Dupre, organist at St. Sulpice, and studied orchestration with Paul Dukas.

LANGLAIS, himself, gives much credit to his close friend, Olivier Messiaen, for his success. The latter has spent many hours with Langlais, reading the details of orchestra scores to him. Still close friends, the men always use comparisons of each other's in concert performances.

Charles Tourenniere, noted organist at St. Clotilde in Paris, expressed the desire that, upon his death, Langlais be named to succeed him.

In addition to this post, Langlais has, for the past 20 years, directed a mixed choir of young blind people. He teaches organ, composition and counter point at the institute where he studied as a youth. He is also director of the chorus there.

HE IS currently on his second tour in the United States, the first having been in 1951. He has learned much about this country from the many Americans who have studied with him in France and from his previous tour.

In addition to his tours here and extended concert appearances in Birmingham, he will give a special event planned. Ar-



JEAN LANGLAIS

the Continent, Langlais lives a life very similar to any "whole" man. Since a boy of eight, he has been an ardent bicyclist, guiding himself along country lanes and city streets by following the sound of the bicycle in front of him, ridden by a companion.

HE OWNS A small home on the seashore of Brittany and, with his wife and two children, spends summer vacations there.

Here is where most of his composing is done, the branch of music this is still his first love. Here he takes long walks in the woods, listening to the songs of birds. Here he especially enjoys riding his bicycle.

Langlais says the greatest pleasure of his vacation is derived from trips in his boat, an American army surplus rubber craft, where he is captain and his son, Claude, the cabin boy.

Contact the Church Page editor if your church or one of its clubs has a special event planned. Arrangements may be made for a picture which will help your story in an interesting manner.

Unitarian Men Act to Organize Laymen's League

By unanimous agreement, the men of the Birmingham Unitarian Fellowship have voted to form a local chapter of the Unitarian Laymen's League.

Meeting Jan. 25 at the Colonial Manor tea room, Douglas Howell was named chairman of a steering committee to make necessary arrangements for the Birmingham chapter and apply for a charter from the national group. He will be assisted by Thomas Lawton and David Spaulding.

OFFICERS WILL be nominated and elected as soon as possible after which a regular schedule of meetings, probably in the Birmingham Community House, will be arranged.

H. Talbot Pearson, executive director of the League's headquarters in Boston, spoke on the work and aims of the League and explained its operations.

He told the group the League was formed to stimulate an interest in religious and social problems, to encourage friendly relations among the men of the Unitarian faith or those in sympathy with it and to aid in the advancement of liberal religious ideas.

ITS PROGRAM, he said, is to mobilize a powerful body of lay opinion dedicated to examination of all problems in the light of ethical principles.

The League works to co-ordinate the efforts and programs of men's groups in Unitarian churches and large Fellowships; support the United Unitarian appeal; initiate projects to advance and extend liberal religious, and to unite in support of the United Nations and its agencies to help achieve a more just and social order throughout the world.

To Feature Book Review

"Within These Borders", by John R. Scatford, will be reviewed by Mrs. Reginald Becker when the Embury Methodist Woman's Society for Christian Service meets in the church on Feb. 9. Scatford's book deals with the problems of Spanish speaking peoples in the United States.

SUNDAY SERMON TOPICS

SUNDAY, FEB. 7

First Presbyterian

"Will You Forget God?" is the question which the Rev. W. Glen Harris, Ph.D., will put to his congregation Sunday morning at both the 9:30 and 11 a.m. services. His text will be from Galatians 4:9. "But now, after that ye have known God, or rather are known of God, how turn ye again to the weak and beggarly elements, wherunto ye desire again to be in bondage?"

Congregational

At the 1 p.m. service in the First Presbyterian church the Rev. Robert D. Dewey will have as his text Micah 6:8. "He that shewed thee, O man, what is good; and what doth the Lord require of thee, but to do justly, and to love mercy, and to walk humbly with thy God?" Mr. Dewey's topic will be "The Christian and Social Concern."

Townside Community

The Rev. John D. Rose has chosen to preach on "Joining the Human Race", taking his text from Luke 6:32. "If you love those who love you, what credit is that to you? For even sinners love those who love them."

First Methodist

Mrs. Beth Duffy, director of youth activities and former missionary worker in Mexico, will preach at both morning services here. Her topic will be "Ours to Share."

Unitarian Fellowship

Speaking at the Birmingham YMCA building, the Rev. Russell L. Lincoln will have as his subject "The Search for God."

United Brethren

Taking his text from the first six verses of I John 4, the Rev. Lee J. Gruffy will preach on "The Marks of False Teachers," at the morning service. The evening pro-

gram will be a continuation of the study of the Book of Acts. The midweek service will be another in the series on the study of Romans, using the first 25 verses of the fourth chapter. The title of the subject will be "Justification Defined."

Unitarian Center Services at 11 a.m. in the Center's reading room at the Theater building will be conducted by Frank Glabach, whose topic will be "The Unity Viewpoint of Christianity."

Christian Science

The wholly-spiritual nature of effective prayer which overcomes sin, sickness and sorrow will be set forth in the sermon entitled "Spirit." The text is from John 4:23-24. "The hour cometh, and now is, when the true worshippers shall worship the Father in spirit and in truth; for the Father seeketh such to worship him. God is a Spirit; and they that worship him must worship him in spirit and in truth."

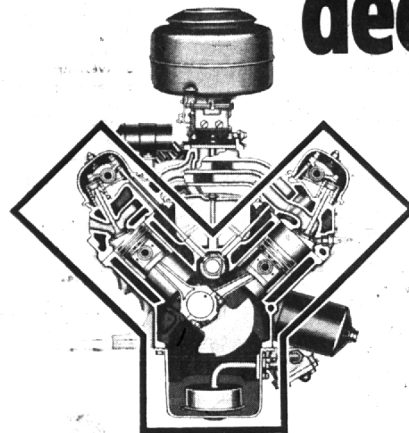
SCREENS and STORM SASH
FLUSH DOORS
• Combination doors and windows
• Cupboards, Doors and Drawers
• Plywood—Kiln Dried Lumber
WOODCRAFT CO.
1184 Grant MI 4-0424

Do You Have A **BED-WETTING PROBLEM?**

We have the cure for this!

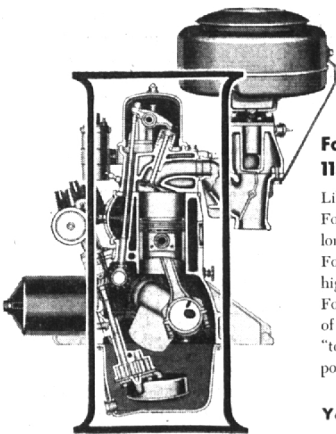
SHAIN'S
REXALL
DRUG STORE
105 W. Maple MI 4-2121

Ford presents two new deep-block engines



Ford's new 130-h.p. Y-block V-8
This brand new Overhead-Valve V-8 has an extra-deep block which makes it resemble a "Y" in cross-section. This new deep-block design means greater rigidity for smoother, quieter performance... longer engine life. Other features which make this engine a long-lived, smooth, savingful performer are: new low-friction (short-stroke) design, Free-Turning Overhead Valves, new 5-bearing crankshaft, and new high-turbulence combustion chambers.

They're the industry's most modern engines with free-turning Overhead Valves and integral valve guides... high-compression, low-friction design... and extra deep-skirted crankcases. Both engines are designed for long life with smooth, economical performance.



Ford's new 115-h.p. I-block SIX
Like the new Y-block V-8, this engine has Ford's deep-block design for greater rigidity, longer engine life. Also, like the V-8, you get Ford's modern manifolding, low-friction design, high-turbulence combustion chambers, and Ford's Automatic Power Pilot. One advantage of both new engines is an amazingly flat "torque curve" which gives you top pick-up power through the whole range of driving speeds.

You are cordially invited to come in and Test Drive the

'54 Ford



More than ever... THE STANDARD for THE AMERICAN ROAD

HAROLD TURNER, Inc.
Turn to Turner — Your Friendly Ford Dealer

464 SO. WOODWARD AVENUE

PHONES MIDWEST 4-7500 or JORDAN 4-6266

BIG SAVINGS
greatly reduced prices!
on these

HAMILTON and BENDIX
Gas Clothes Dryers

BANISH Her Tiring Wash-day Job!
Cut laundry time in half! Dry clothes any time, day or night. Save time... enjoy clean fluffy laundry in a matter of minutes. Banish drudgery... cut ironing time too! No more ironsome sprinkling... No more heavy baskets to lug. No more wrestling with wind and weather.

COME IN... SEE THEM GET THE FACTS!

Only ONCE-A-YEAR a Sale like this!

BANISH Work and Weather Worries!
Save money... save time... save work... save clothes... save space and save yourself! Think of it, for as little as TWO CENTS an HOUR you can operate this work-saving gas clothes dryer and throw away that old-fashioned clothesline.

BUY NOW and SAVE during this big CLEARANCE SALE
HURRY! There are only a limited number!
ME-3771-24

CONSUMERS POWER COMPANY